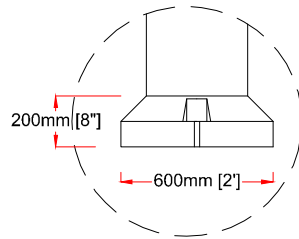
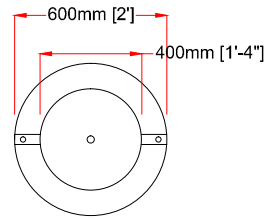


DETAIL B

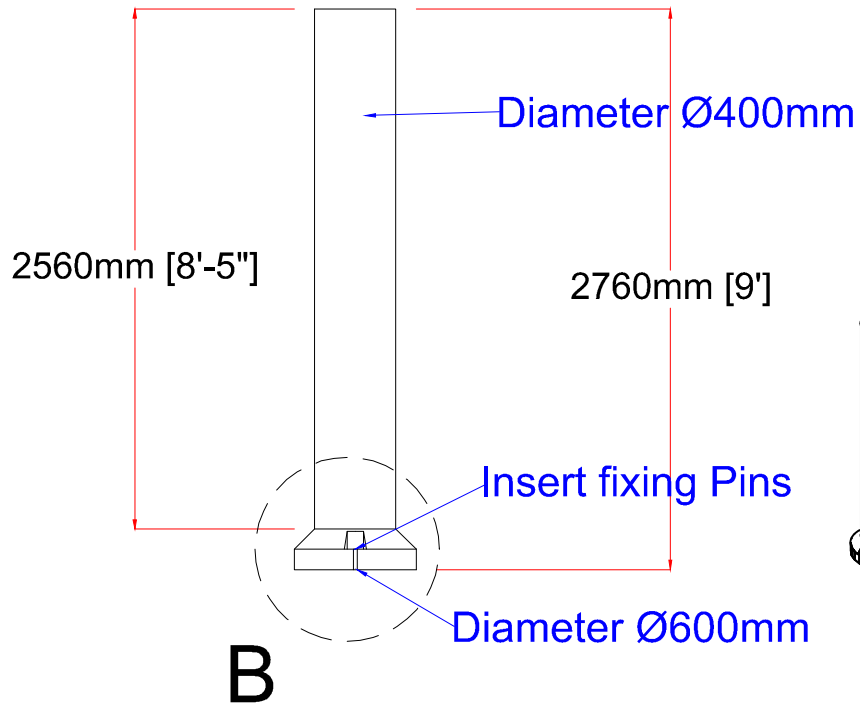


B

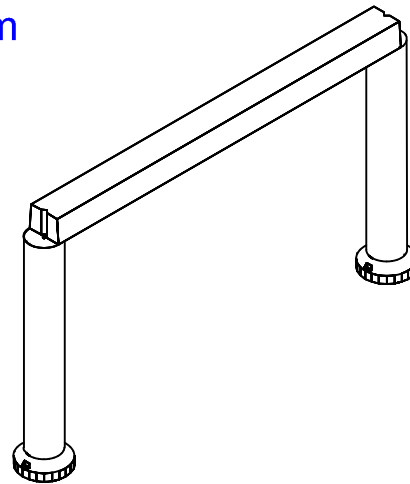
CROSS SECTION



ELEVATION



COLUMN & BEAM ARRANGMENT



NOTE

1. Do not scale, use figured dimensions only.
2. All dimensions in metric and imperial units.
3. Precast column setary to concrete floor by holding pins
4. Concrete grade to be C45 U.N.O
5. Minimum 40 mm cover to all steal.
6. All steel to be S275 J0 to BS EN 10025
7. Lifting pin located on top of column
8. All setting Out & Dimensions to be checked on site.
9. Installation and maintained should follow best practice.

SUMMARY

Column height can range from 1000mm to 2700mm.

Name: Precast column slat base

type: Agriculture column

Dimension; Base Ø600mm / top Ø400mm

Issue 2	Revised for Audit	
Issue 1	Construction	03-Sept-2013
Client	N/B	Scale Checked N/B
Drawing Title	Details	Drawn: CMcE Dwg No. 1116/slat.fcc
Project Description	Concrete column	
	Drawing & issue notes to be read in conjunction with issue sheet. © This Drawing is Copyright	



Croom Concrete Ltd

Off Church Road,
Croom,
Co Limerick,
Tel: 061 397479
Fax: 061 606719
e-mail:
sales@croomconcrete.ie