



AGRICULTURAL PRODUCTS

Cattle Slats

96 Godolphin Road, Shepherds Bush, London W12. Tel: +44 (0)758 625 9872 Email: info@croomconcrete.co.uk www.croomconcrete.co.uk

Off Church Road, Croom, Co. Limerick, Ireland. Tel: +353 (0)61 397479 Fax: +353 (0)61 600719 Email: sales@croomconcrete.ie www.croomconcrete.ie

TYPICAL DIMENSION AND PERFORMANCE OF SLATS

SLAT	TYPE	RIBS	SLOT SIZE	SLAT DEPTH	AXIE LOADING
8'6" (2590mm)	Jumbo	6	38mm	175mm	8 Tonne
10'6" (3200mm)	Jumbo	6	40mm	200mm	8 Tonne
11'6" (3504mm)	Jumbo	6	38mm	200mm	8 Tonne
12'6" (3809mm)	Standard	6 to 7	40/38mm	175mm	8 Tonne
12'6" (3809mm)	Jumbo	6 to 7	40/38mm	200mm	10 Tonne
14'6" (4418mm)	Jumbo	6	40mm	200mm	10 Tonne
16'6" (5029mm)	Jumbo	6	40mm	225mm	10 Tonne

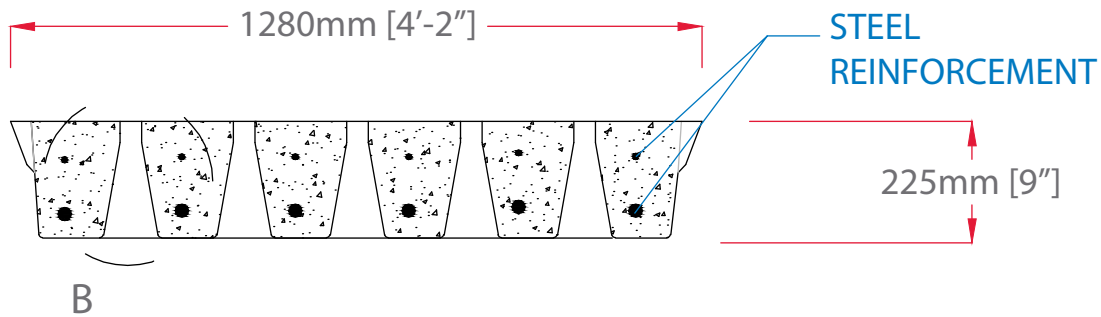
CROOM CONCRETE slats are manufactured using only the highest quality materials available to ensure ultimate strength and endurance. They are designed to meet the needs of dairy and beef farming. The slat sizes can be customised to cater for sheep and pig farming, all in accordance with British and European standards.

BENEFITS OF CROOM SLATS:

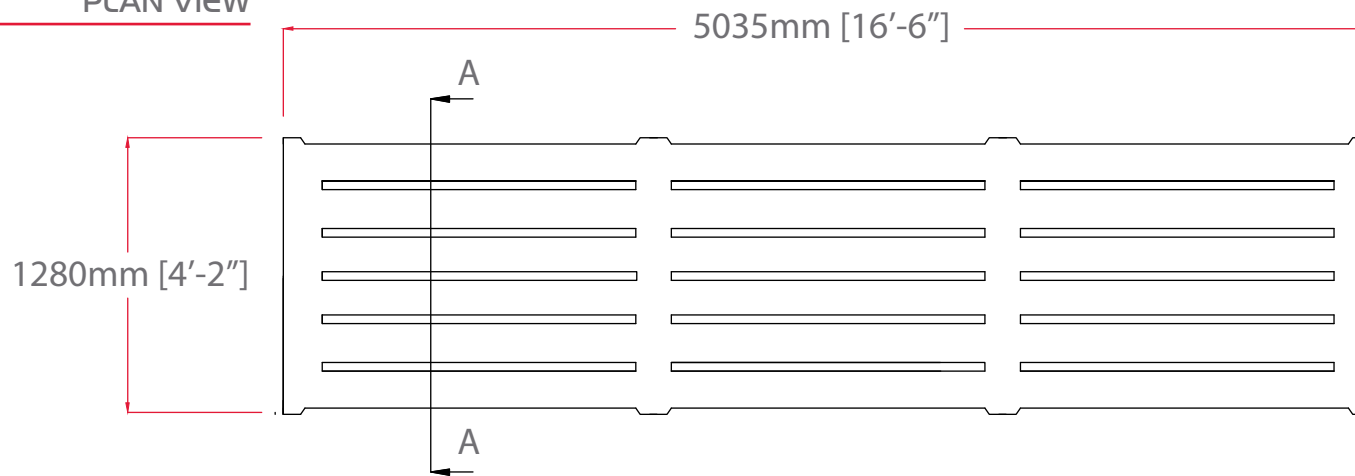
- Designed to BS8110 (EN2 1992. Eurocode 2)
- Dry Cast Manufacture
- Galv Manhole Cast-in for safety
- Superior 50Kn High Strength Concrete compared to the 40Kn standard
- Suspended Floor System up to 17 feet
- Slats are designed to provide optimum space to surface ratio
- 50mm concrete cover to reinforcing steel means no corrosion and a long life span.
- High quality finish giving smooth tapered sides and level non-slip surface for greater cattle comfort.



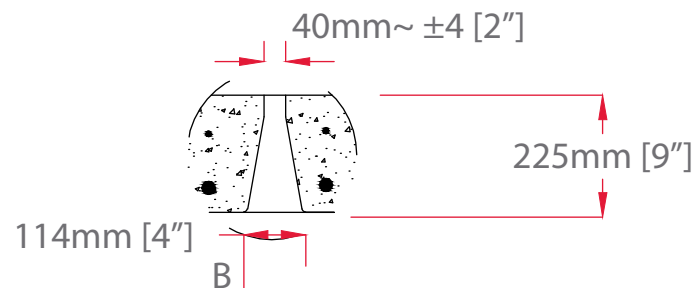
CROSS SECTION A-A



PLAN VIEW



DETAIL B



Job Title: Cattle Slat Unit Spec [16' 6"]

Drawing No: 1001/S/16-6

NOTE

1. Do not scale, use figured dimensions only.
2. All dimensions in metric and imperial units.
3. Slat are design accordance floor slats for livestock I.S EN 12737:2004+A1:2007.
4. Minimum contact length of slat on wall 100mm.
5. Designed in accordance to BS8110 and EC2 1992 (Eurocode 2).
6. Minimum slat bearing over wall 150mm.
7. Concrete grade to be C45 U.N.O.
8. All concrete is 45Kn high strength concrete.
9. Minimum 40 mm cover to all steel.
10. All steel to be S275 J0 to BS EN 10025.
11. M25 main reinforcement bar on bottom section.
12. M12 reinforcement bar use on top section and links.
13. All setting out and dimensions to be checked on site.
14. Installation and maintainance should follow best practice.

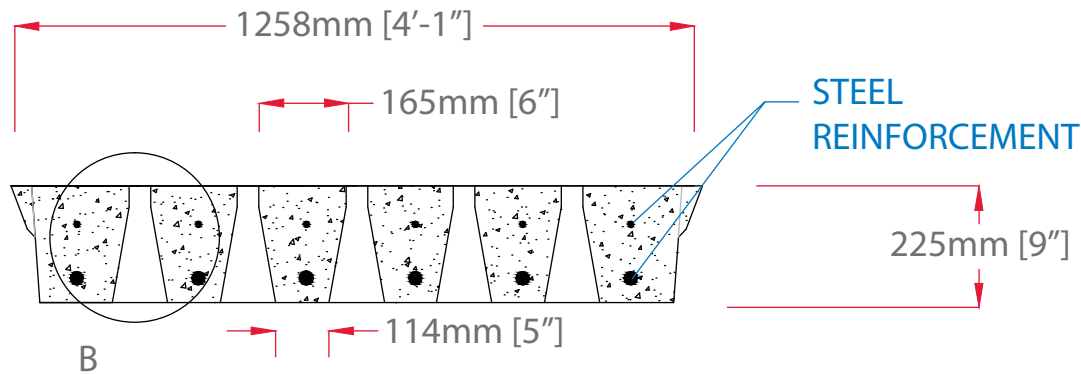
SUMMARY

Name: 16' 6" slat

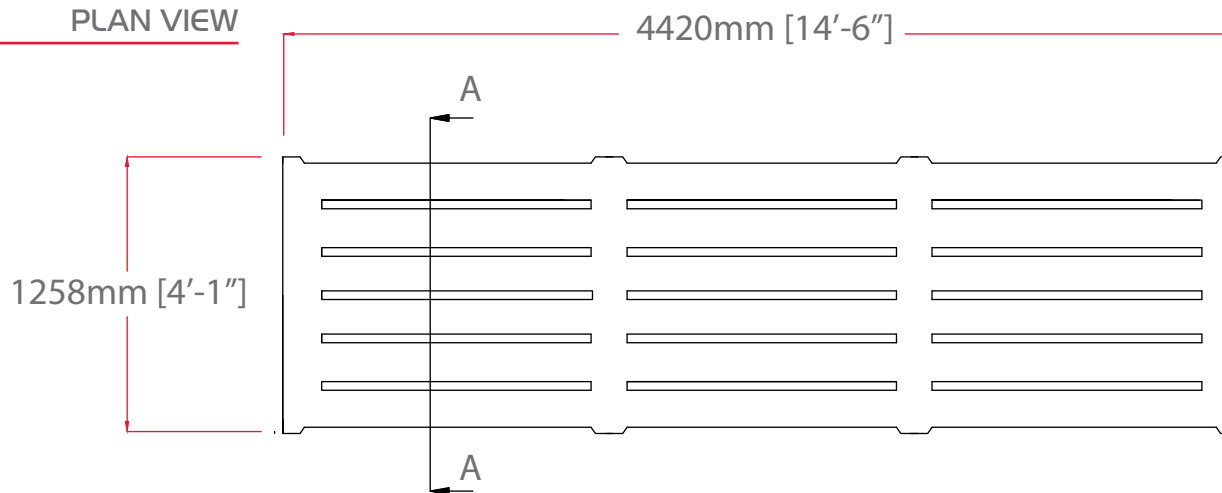
Slat type: Agriculture slat unit

Dimension; 5035 x 1270 x 225mm

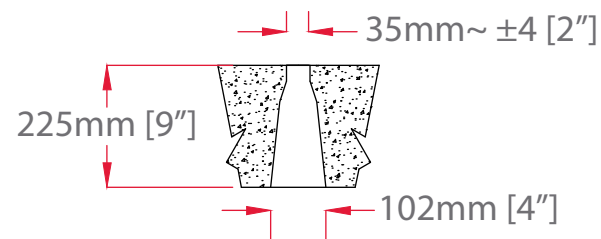
CROSS SECTION A-A



PLAN VIEW



DETAIL B



Job Title: Cattle Slat Unit Spec [16' 6"]

Drawing No: 1002/S/14-6

NOTE

1. Do not scale, use figured dimensions only.
2. All dimensions in metric and imperial units.
3. Slat are design accordance floor slats for livestock I.S EN 12737:2004+A1:2007.
4. Minimum contact length of slat on wall 100mm.
5. Designed in accordance to BS8110 and EC2 1992 (Eurocode 2).
6. Minimum slat bearing over wall 150mm.
7. Concrete grade to be C45 U.N.O.
8. All concrete is 45Kn high strength concrete.
9. Minimum 40 mm cover to all steel.
10. All steel to be S275 J0 to BS EN 10025.
11. M25 main reinforcement bar on bottom section.
12. M12 reinforcement bar use on top section and links.
13. All setting out and dimensions to be checked on site.
14. Installation and maintainance should follow best practice.

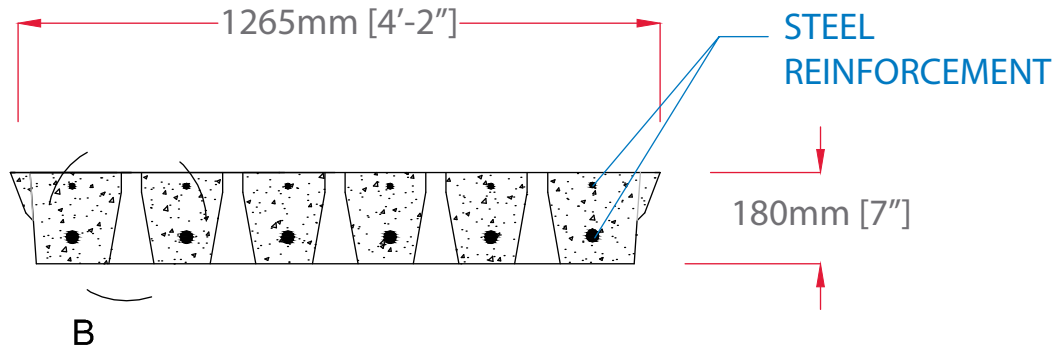
SUMMARY

Name: 14' 6" slat

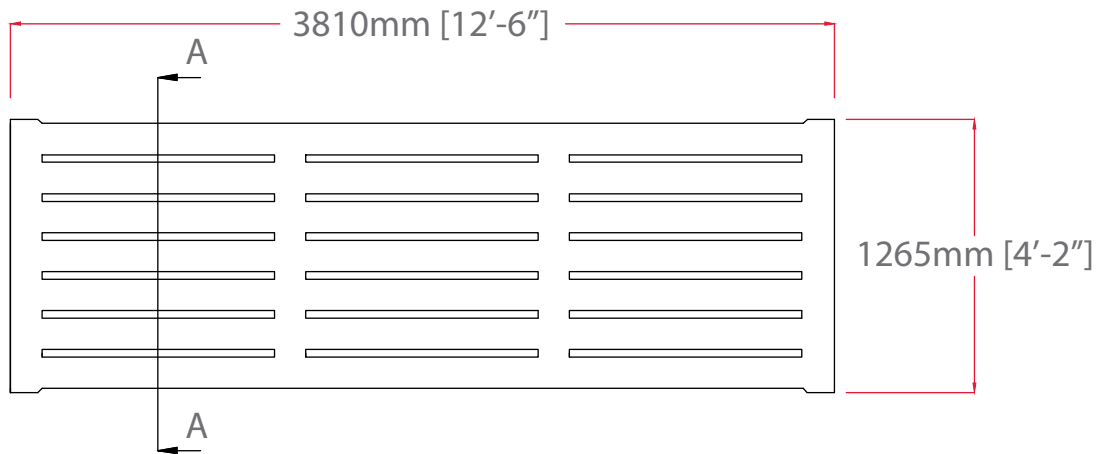
Slat type: Agriculture slat unit

Dimension; 4420 x 1258 x 225mm

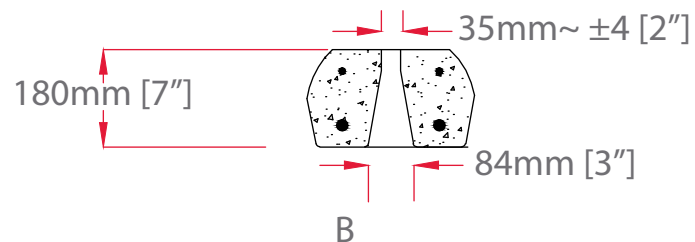
CROSS SECTION A-A



PLAN VIEW



DETAIL B



Job Title: Cattle Slat Unit Spec [12' 6"]

Drawing No: 1003/S/12-6

NOTE

1. Do not scale, use figured dimensions only.
2. All dimensions in metric and imperial units.
3. Slat are design accordance floor slats for livestock I.S EN 12737:2004+A1:2007.
4. Minimum contact length of slat on wall 100mm.
5. Designed in accordance to BS8110 and EC2 1992 (Eurocode 2).
6. Minimum slat bearing over wall 150mm.
7. Concrete grade to be C45 U.N.O.
8. All concrete is 45Kn high strength concrete.
9. Minimum 40 mm cover to all steel.
10. All steel to be S275 J0 to BS EN 10025.
11. M25 main reinforcement bar on bottom section.
12. M12 reinforcement bar use on top section and links.
13. All setting out and dimensions to be checked on site.
14. Installation and maintainance should follow best practice.

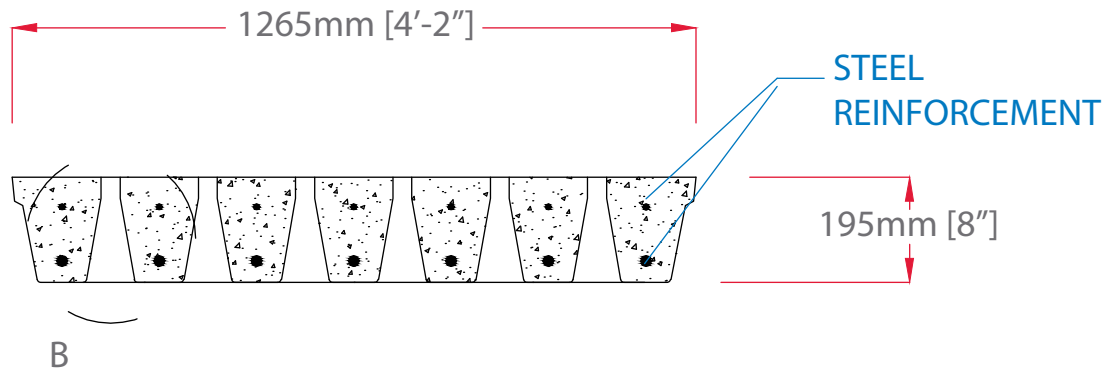
SUMMARY

Name: 12' 6" slat

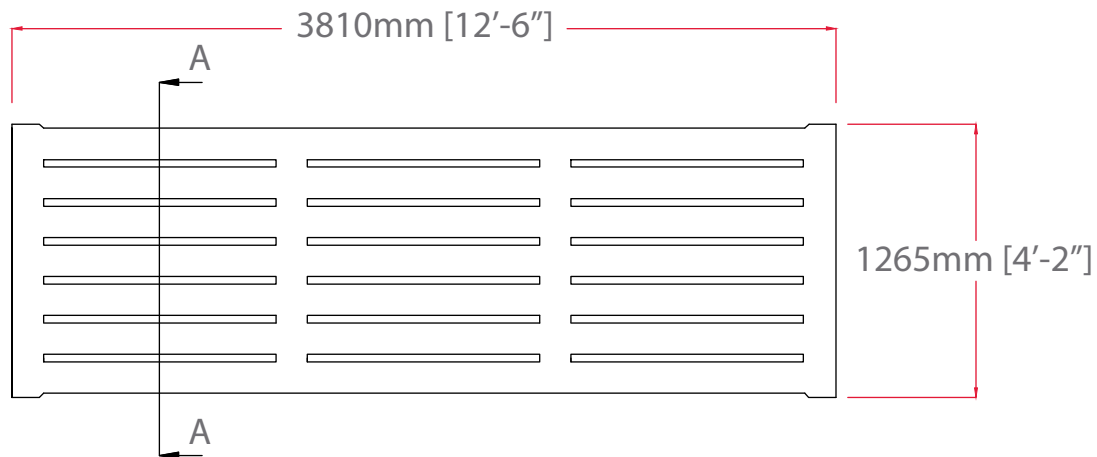
Slat type: Agriculture slat unit

Dimension; 3810 x 1265 x 180mm

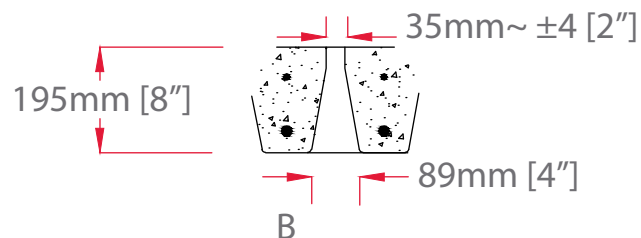
CROSS SECTION A-A



PLAN VIEW



DETAIL B



Job Title: Cattle Slat Unit Spec [12' 6"]

Drawing No: 1004/S/12-6

NOTE

1. Do not scale, use figured dimensions only.
2. All dimensions in metric and imperial units.
3. Slat are design accordance floor slats for livestock I.S EN 12737:2004+A1:2007.
4. Minimum contact length of slat on wall 100mm.
5. Designed in accordance to BS8110 and EC2 1992 (Eurocode 2).
6. Minimum slat bearing over wall 150mm.
7. Concrete grade to be C45 U.N.O.
8. All concrete is 45Kn high strength concrete.
9. Minimum 40 mm cover to all steel.
10. All steel to be S275 J0 to BS EN 10025.
11. M25 main reinforcement bar on bottom section.
12. M12 reinforcement bar use on top section and links.
13. All setting out and dimensions to be checked on site.
14. Installation and maintainance should follow best practice.

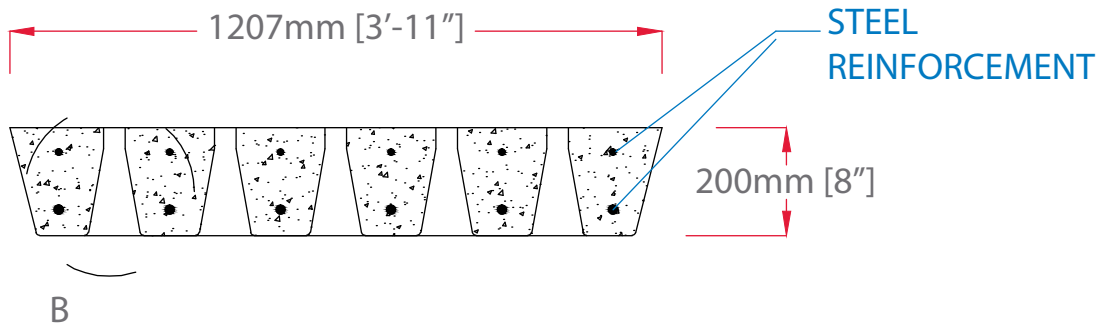
SUMMARY

Name: 12' 6" slat

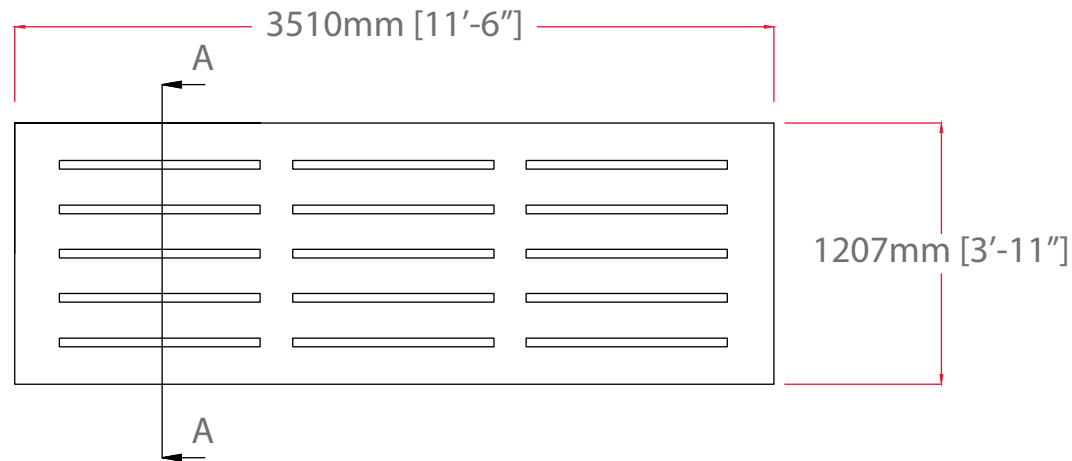
Slat type: Agriculture slat unit

Dimension; 3810 x 1265 x 195mm

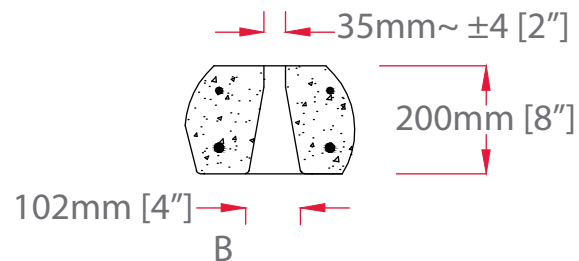
CROSS SECTION A-A



PLAN VIEW



DETAIL B



Job Title: Cattle Slat Unit Spec [11' 6"]

Drawing No: 1005/S/11-6

NOTE

1. Do not scale, use figured dimensions only.
2. All dimensions in metric and imperial units.
3. Slat are design accordance floor slats for livestock I.S EN 12737:2004+A1:2007.
4. Minimum contact length of slat on wall 100mm.
5. Designed in accordance to BS8110 and EC2 1992 (Eurocode 2).
6. Minimum slat bearing over wall 150mm.
7. Concrete grade to be C45 U.N.O.
8. All concrete is 45Kn high strength concrete.
9. Minimum 40 mm cover to all steel.
10. All steel to be S275 J0 to BS EN 10025.
11. M25 main reinforcement bar on bottom section.
12. M12 reinforcement bar use on top section and links.
13. All setting out and dimensions to be checked on site.
14. Installation and maintainance should follow best practice.

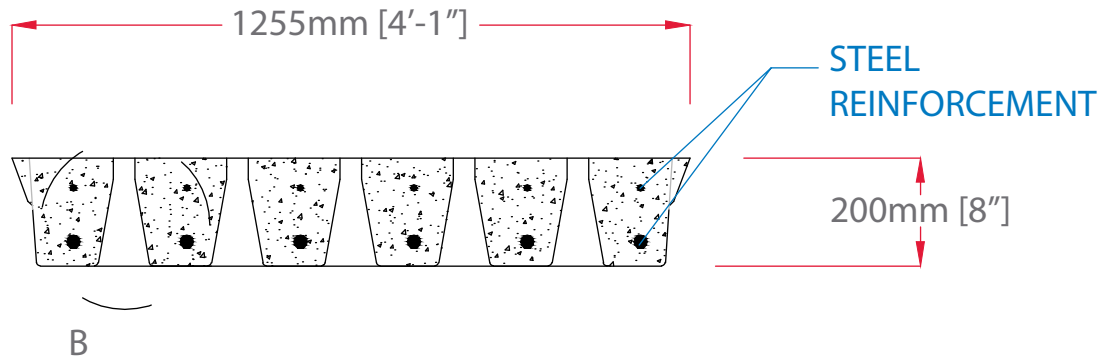
SUMMARY

Name: 11' 6" slat

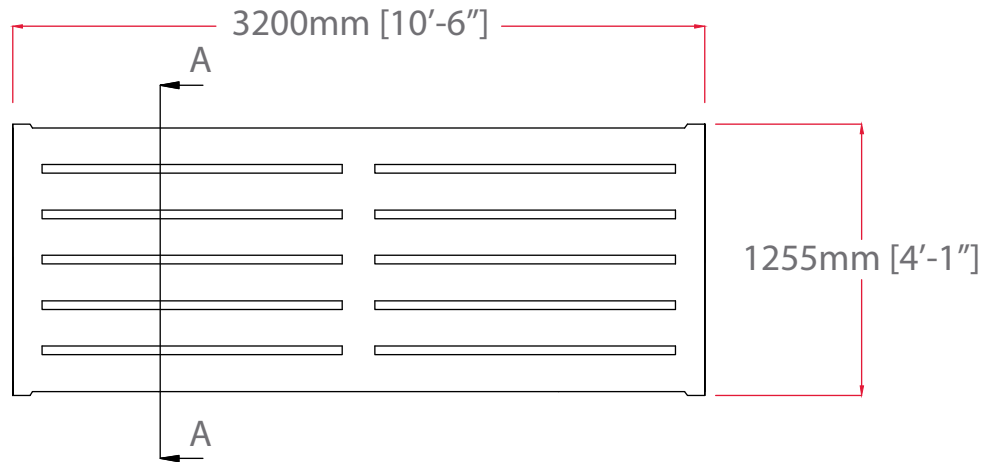
Slat type: Agriculture slat unit

Dimension; 3510 x 1255 x 195mm

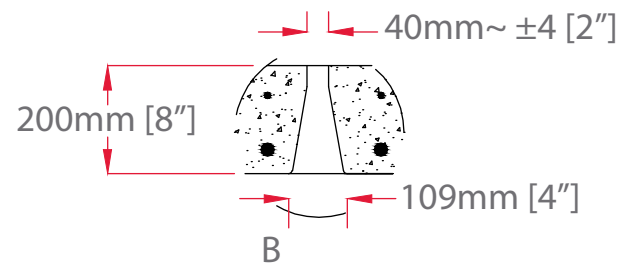
CROSS SECTION A-A



PLAN VIEW



DETAIL B



Job Title: Cattle Slat Unit Spec [10' 6"]

Drawing No: 1007/S/10-6

NOTE

1. Do not scale, use figured dimensions only.
2. All dimensions in metric and imperial units.
3. Slat are design accordance floor slats for livestock I.S EN 12737:2004+A1:2007.
4. Minimum contact length of slat on wall 100mm.
5. Designed in accordance to BS8110 and EC2 1992 (Eurocode 2).
6. Minimum slat bearing over wall 150mm.
7. Concrete grade to be C45 U.N.O.
8. All concrete is 45Kn high strength concrete.
9. Minimum 40 mm cover to all steel.
10. All steel to be S275 J0 to BS EN 10025.
11. M25 main reinforcement bar on bottom section.
12. M12 reinforcement bar use on top section and links.
13. All setting out and dimensions to be checked on site.
14. Installation and maintainance should follow best practice.

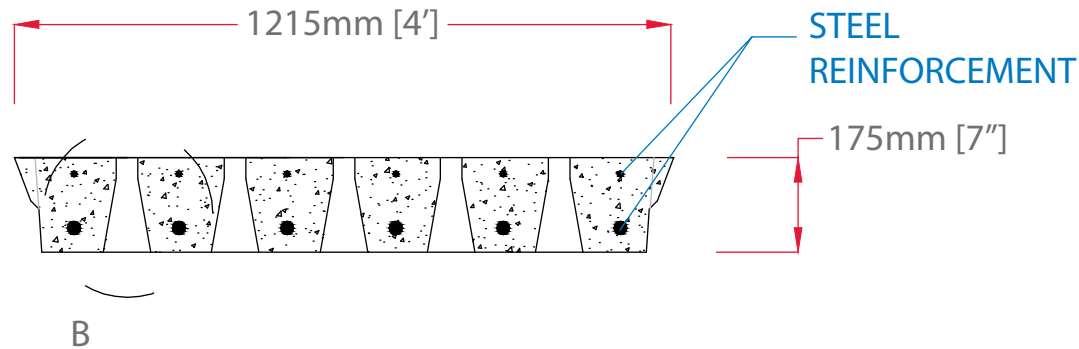
SUMMARY

Name: 10' 6" slat

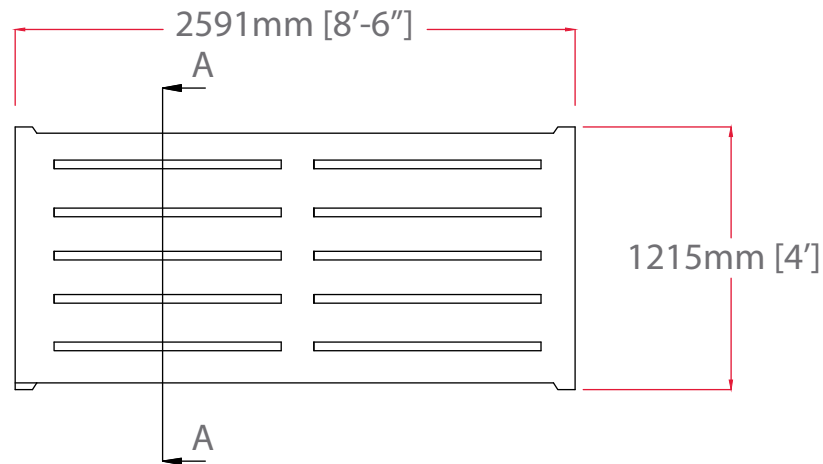
Slat type: Agriculture slat unit

Dimension; 3200 x 1255 x 200mm

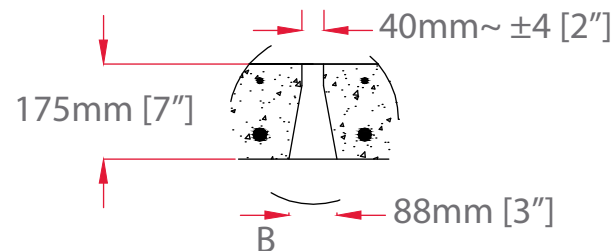
CROSS SECTION A-A



PLAN VIEW



DETAIL B



Job Title: Cattle Slat Unit Spec [8' 6"]

Drawing No: 1008/S/8-6

NOTE

1. Do not scale, use figured dimensions only.
2. All dimensions in metric and imperial units.
3. Slat are design accordance floor slats for livestock I.S EN 12737:2004+A1:2007.
4. Minimum contact length of slat on wall 100mm.
5. Designed in accordance to BS8110 and EC2 1992 (Eurocode 2).
6. Minimum slat bearing over wall 150mm.
7. Concrete grade to be C45 U.N.O.
8. All concrete is 45Kn high strength concrete.
9. Minimum 40 mm cover to all steel.
10. All steel to be S275 J0 to BS EN 10025.
11. M25 main reinforcement bar on bottom section.
12. M12 reinforcement bar use on top section and links.
13. All setting out and dimensions to be checked on site.
14. Installation and maintainance should follow best practice.

SUMMARY

Name: 8' 6" slat

Slat type: Agriculture slat unit

Dimension; 2591 x 1215 x 175mm