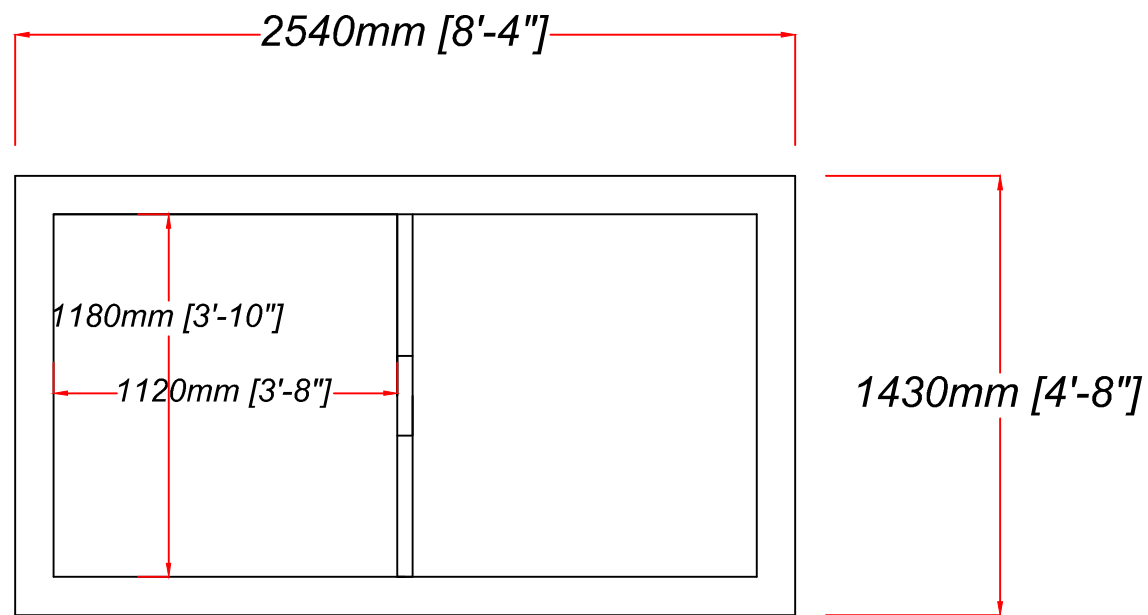


PLAN VIEW



NOTE

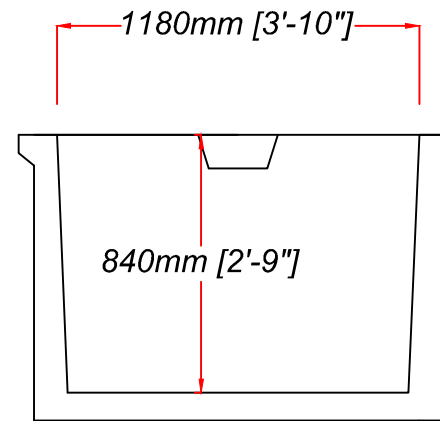
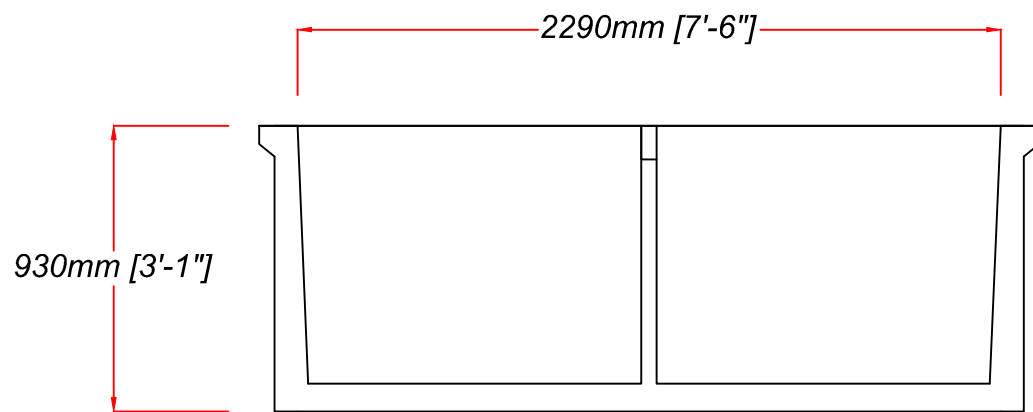
1. Do not scale, use figured dimensions only.
2. All dimensions in mm and inch.
3. Concrete grade to be C40 U.N.O
4. Minimum 30 mm cover to all steal.
5. Manhole 550mm square
6. 100mm pipe inlet/outlet is 300mm form top of tank.

SUMMARY

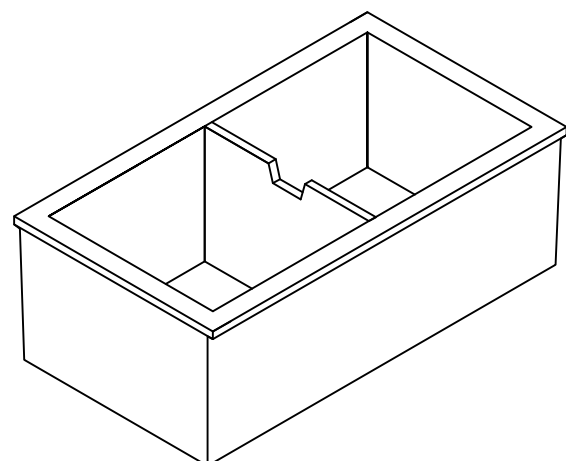
Name: Precast tank square tank
 type: Gully trap/retaining water
 Dimension; 2540X1430X930mm
 Approx weight ; 2 TONNE
 Volume of Half unit 2200Lt (500 gallon)

SUMMARY

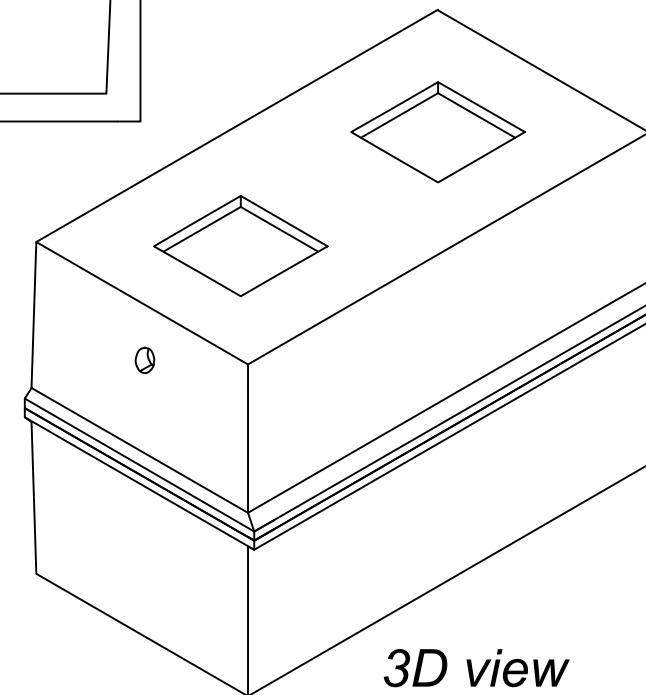
Name: 8"6 foot Bunker/Grain walls
 Type: Retaining precast wall
 Dimension; 3048X1200X1100mm
 Estimate weight 1755kg



CROSS SECTION A-A



**3D view
Single unit**



**3D view
Double unit**

Issue 2	Revised for Audit	
Issue 1	Construction	12-Sept-2013

Client		Scale Checked N/B
Drawing Title	Details	Dwg No. 1086/T/Gully Drawn CMcE

Project Description	Drawing & issue notes to be read in conjunction with issue sheet. © This Drawing is Copyright
Half Tanks	



Croom Concrete Ltd
 Precast Concrete Products
 Off Church Road,
 Croom,
 Co Limerick,
 Tel: 061 397479
 Fax: 061 600719
 e-mail:
 sales@croomconcrete.ie