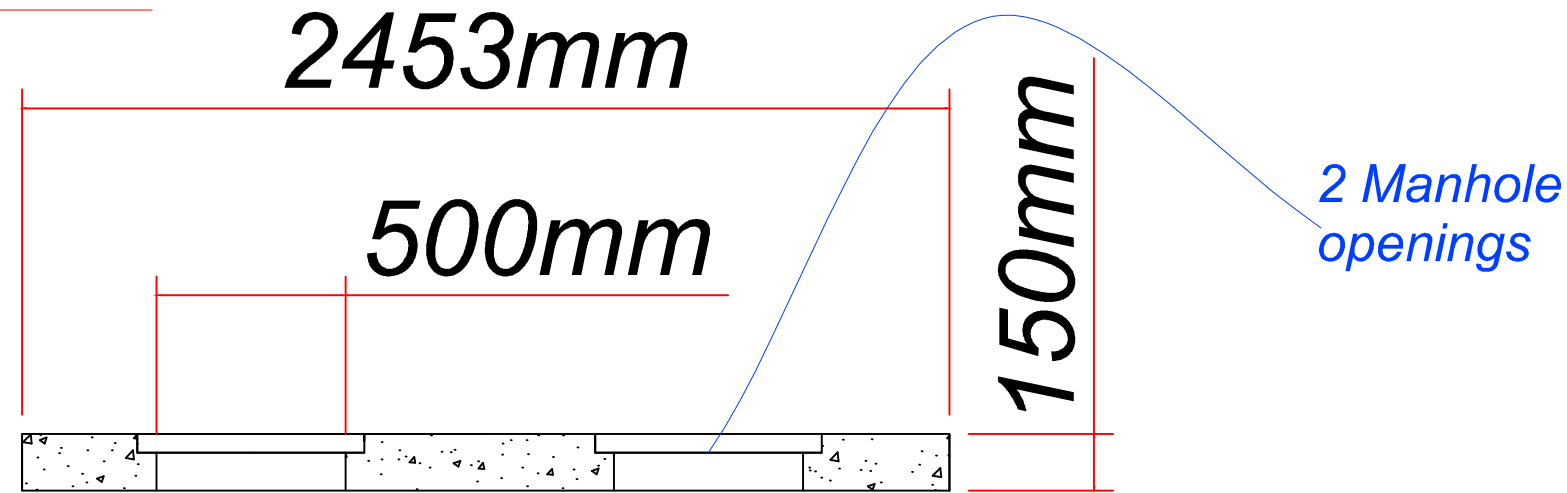


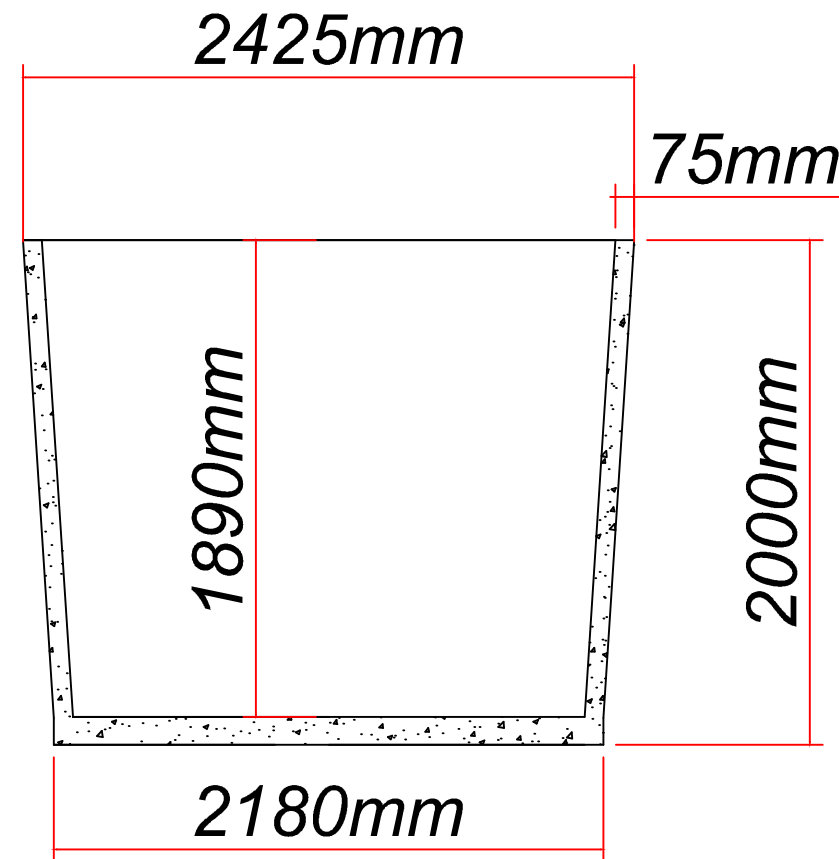
**CROSS SECTION COVER**

Scale 1:20



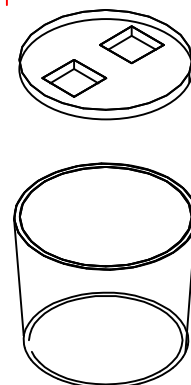
**CROSS SECTION TANK**

Scale 1:30



**3D view**

Scale 1:100



**NOTE**

1. Do not scale, use figured dimensions only.
2. All dimensions in metric and imperial units.
3. Concrete grade to be C45 U.N.O
4. Minimum 40 mm cover to all steel.
5. All steel to be S275 J0 to BS EN 10025
6. M12 main reinforcement bar on bottom section.
7. All setting Out & Dimensions to be checked on site.
8. Installation and maintained should follow best practice.

**SUMMARY**

Type: Agriculture storage tank

Weight:

Tank Estimate 3200kg (empty)

Cover Estimate 1300kg

Dimension; Height 2000mm

Width 2425mm

Issue 2	Revised for Audit	
Issue 1	Construction	13-Sept-2013

Client	N/B	Scale Checked N/B
Drawing Title	Details	Dwg No. 1082/T/1550 Drawn CMcE

<b>Project Description</b>	Drawing & issue notes to be read in conjunction with issue sheet. © This Drawing is Copyright
Round Tank SPEC	



**Croom Concrete Ltd**

Precast Concrete Products

Off Church Road,  
Croom,  
Co Limerick,

Tel: 061 397479  
Fax: 061 600719  
e-mail:  
sales@croomconcrete.ie