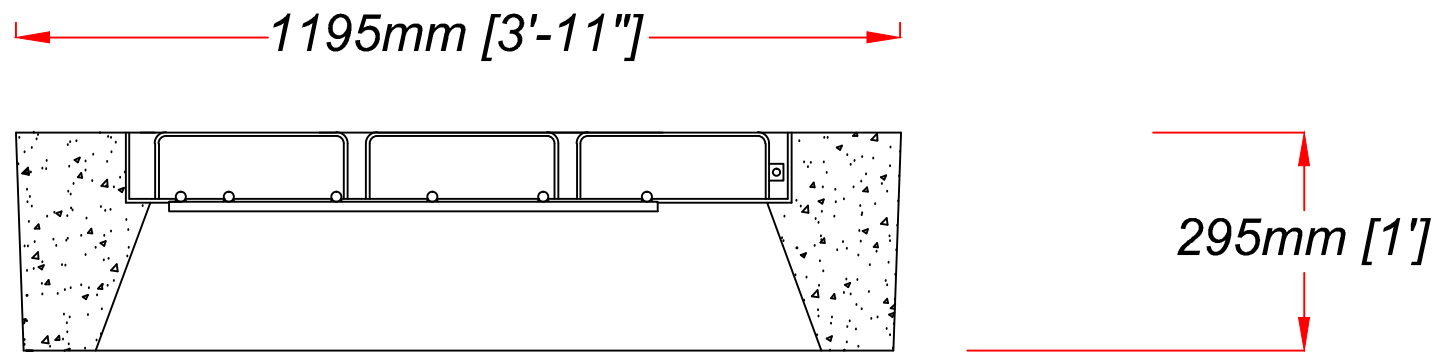


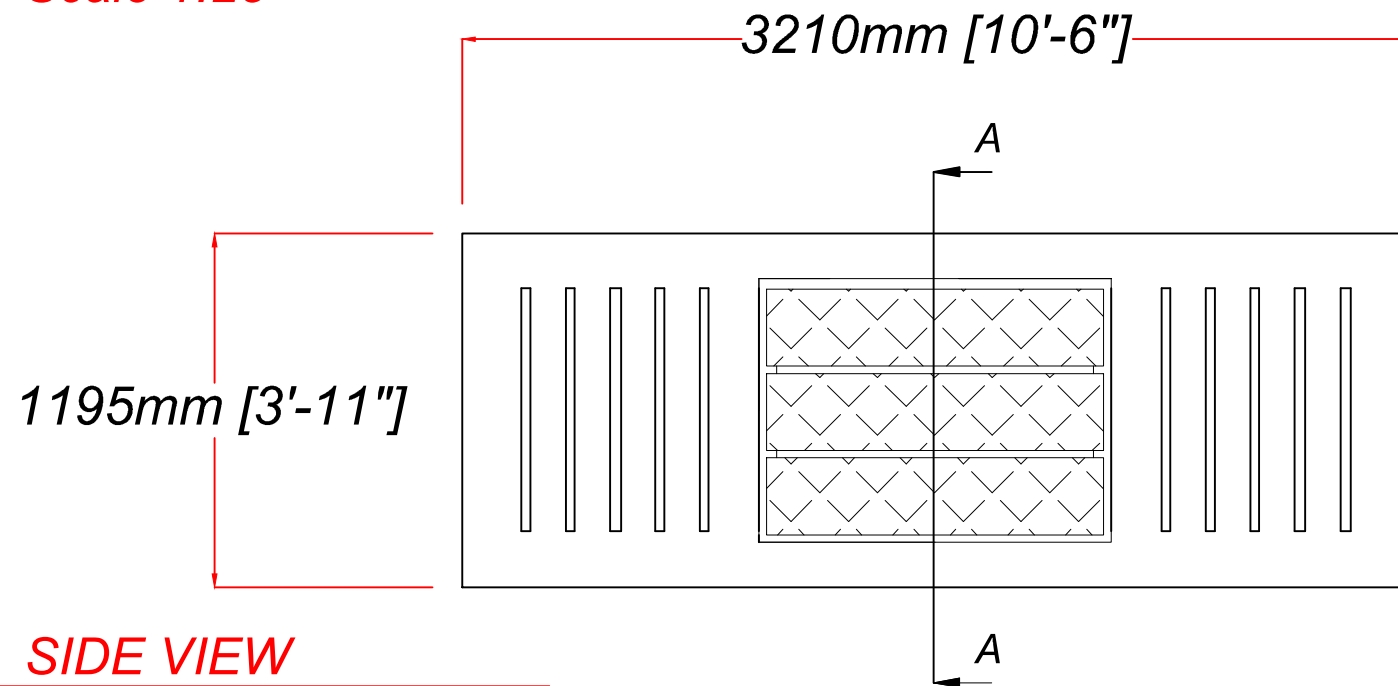
CROSS SECTION A-A

Scale 1:10



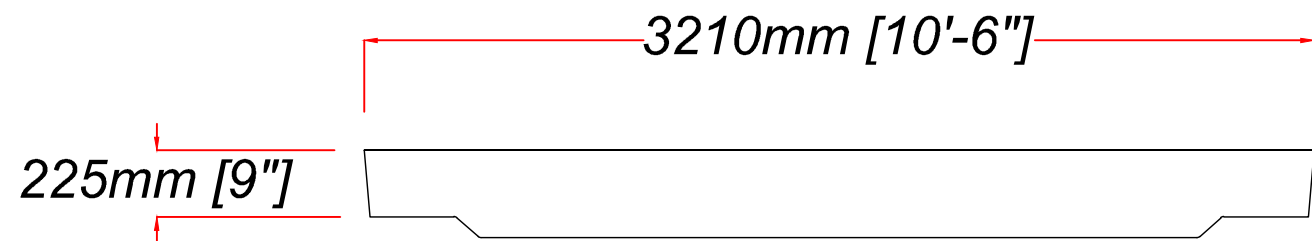
PLAN VIEW

Scale 1:25



SIDE VIEW

Scale 1:25



Job Title: 10ft6 9" manhole Slat

Drawing No: 1017/MS/10-6

NOTE

1. Do not scale, use figured dimensions only.
2. All dimensions in metric and imperial units.
3. Slat are design accordance floor slats for livestock I.S EN 12737:2004+A1:2007.
4. Minimum contact length of slat on wall 100mm.
5. Designed in accordance to BS8110 and EC2 1992 (Eurocode 2).
6. Minimum slat bearing over wall 150mm.
7. Concrete grade to be 50 N/mm² U.N.O.
8. Minimum 40 mm cover to all steal.
9. All steel to be S275 J0 to BS EN 10025.
10. All setting Out & Dimensions to be checked on site.
11. Installation and maintained should follow best practice.

SUMMARY

Name: 10"6 foot slat

Slat type: Manhole slat unit

Dimension; 3210X1195X225~295mm

Issue 2	Revised for Audit	
Issue 1	Construction	02-Sept-2013
Client	N/B	Scale Checked N/B
Drawing Title	Details	Dwg No. 1017/MS/10-6 Drawn CM&E
Project Description	Drawing & issue notes to be read in conjunction with issue sheet. © This Drawing is Copyright	
10.6 9" manhole Slat		



Croom Concrete Ltd

Precast Concrete Products
Off Church Road,
Croom,
Co Limerick,

Tel: 061 397479
Fax: 061 600719
e-mail:
sales@croomconcrete.ie