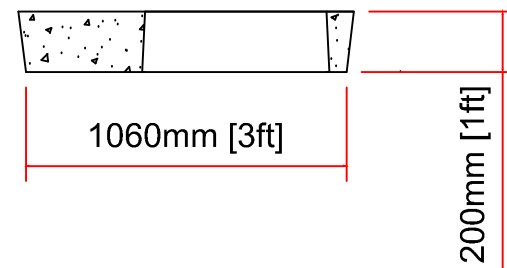
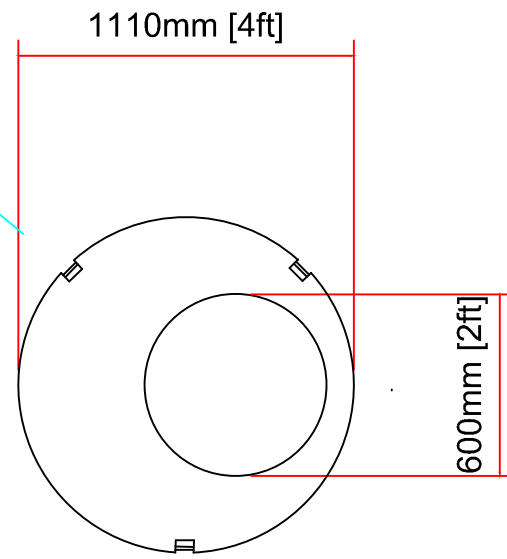


PLAN VIEW

3 LIFTING BAR ON SIDE OF BASE



NOTE

1. Do not scale, use figured dimensions only.
2. All dimensions in metric and imperial units.
3. Concrete grade to be C40 U.N.O
4. All setting Out & Dimensions to be checked on site.
5. Installation and maintained should follow best practice.

SUMMARY

Name: Biscuit

Type: 3 ft pipe cover

Dimension 1111X200 mm

Estimate weight 270kg

Issue 2	Revised for Audit	
Issue 1	Construction	08-Aug-2013

Client	Scale ----	Scale Checked N/B
Drawing Title	Details	Dwg No. 1075/BC/01 Drawn CMcE.

Project Description	Drawing & issue notes to be read in conjunction with issue sheet. © This Drawing is Copyright
Biscuit	



Croom Concrete Ltd

Precast Concrete Products

Off Church Road,
Croom,
Co Limerick.

Tel: 061 397479
Fax: 061 600719
e-mail:
sales@croomconcrete.ie