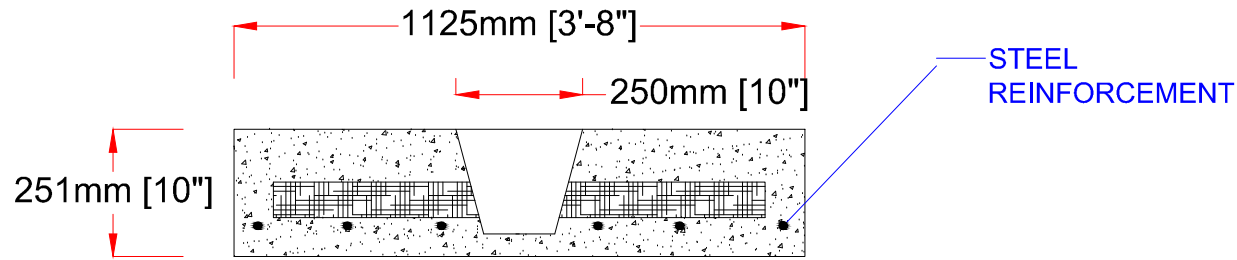
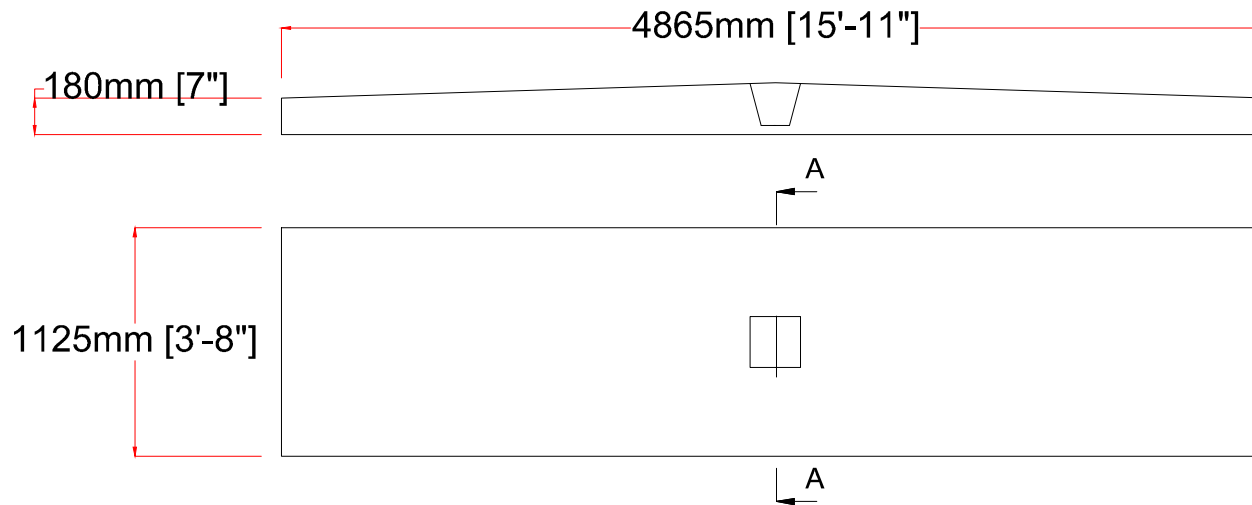


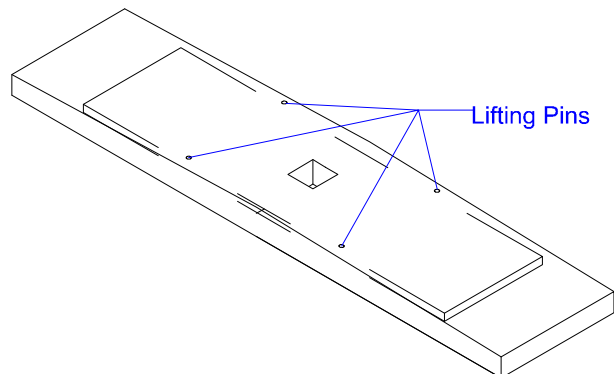
CROSS SECTION A-A



PLAN VIEW



DETAIL 3D VIEW



NOTE

1. Do not scale, use figured dimensions only.
2. All dimensions in metric and imperial units.
3. Minimum contact length of slat on wall 100mm.
4. Minimum slat bearing over wall 150mm
5. Concrete grade to be C45 U.N.O with structure fibres.
6. Minimum 40 mm cover to all steal.
7. All steel to be S275 J0 to BS EN 10025
8. All setting Out & Dimensions to be checked on site.
9. Installation and maintained should follow best practice.

SUMMARY

Typical cubic range from cubic (14ft -16ft) full bed and half bed

Name: 16ft cubic bed

Slat type: Agriculture Bed unit

Dimension:4865X1125X180mm

Estimate Weight: 2000kg

Issue 2	Revised for Audit	
Issue 1	Construction	03-Sept-2013
Client	N/B	Scale Checked N/B
Drawing Title	Details	Dwg No. 1009/bed16 Drawn CMcE
Project Description		Drawing & issue notes to be read in conjunction with issue sheet. © This Drawing is Copyright
CATTLE CUBIC BED		



Croom Concrete Ltd

Precast Concrete Products
Off Church Road,
Croom,
Co Limerick.

Tel: 061 397479
Fax: 061 600719
e-mail:
sales@croomconcrete.ie