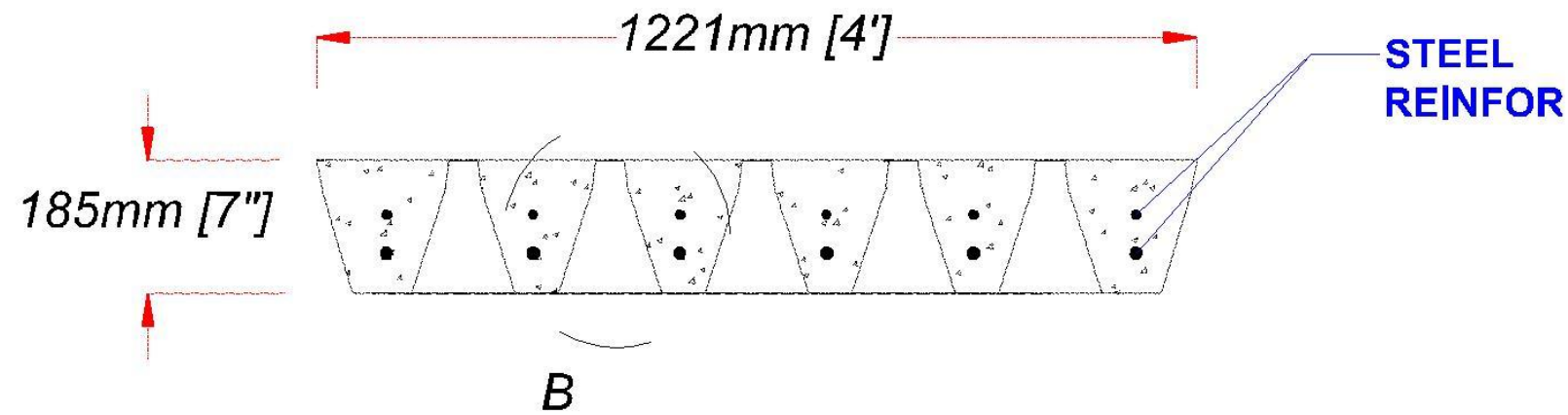


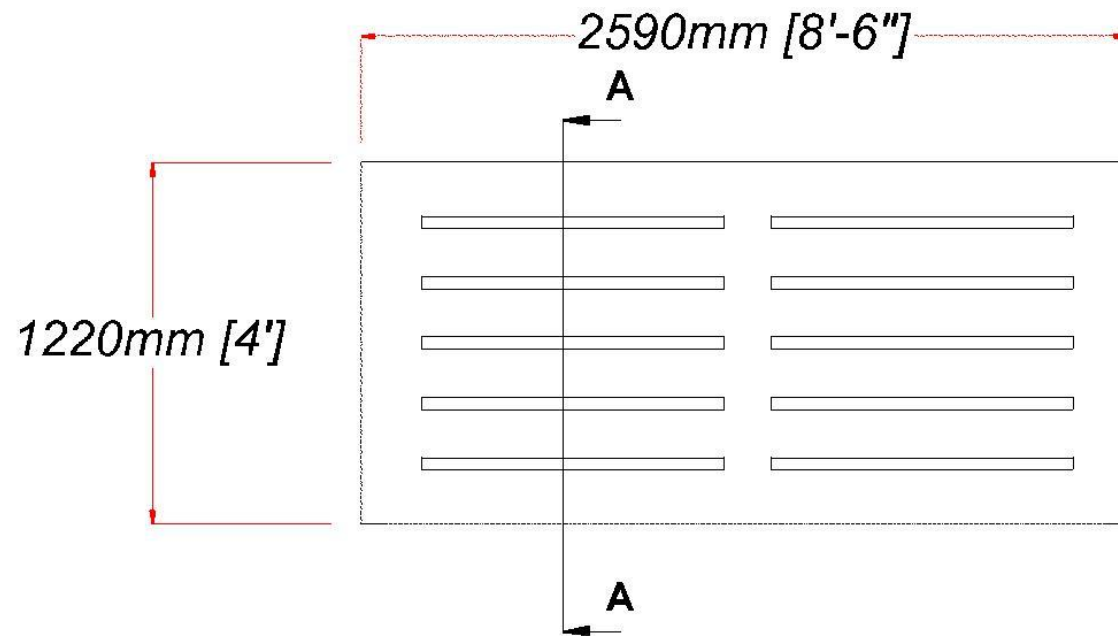
CROSS SECTION A-A

Scale 1:10



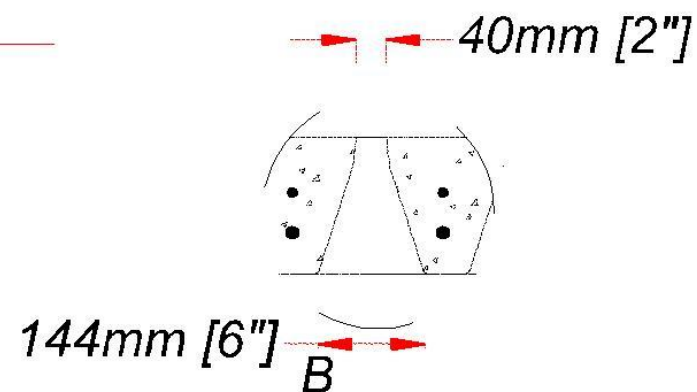
PLAN VIEW

Scale 1:25



DETAIL B

Scale 1:10



Job Title: Tractor slat unit spec [8'6"]

Drawing No: 1008/S/8-6

NOTE

1. Do not scale, use figured dimensions only.
2. All dimensions in metric and imperial units.
3. Slat are design accordance floor slats for livestock I.S EN 12737:2004+A1:2007.
4. Minimum contact length of slat on wall 100mm.
5. Designed in accordance to BS8110 and EC2 1992 (Eurocode 2).
6. Minimum slat bearing over wall 150mm.
7. Concrete grade to be 50 U.N.O.
8. Minimum 40 mm cover to all steal.
9. All steel to be S275 J0 to BS EN 10025.
10. M16 main reinforcement bar on bottom section.
11. M12 reinforcement bar use on top section and links.
12. All setting Out & Dimensions to be checked on site.
13. Installation and maintained should follow best practice.

SUMMARY

Name: 8"6 foot slat

Slat type: Agriculture slat unit

Dimension;2590X1220X185mm

Estimate Weight: 800kg

Issue 2	Revised for Audit	
Issue 1	Construction	30-Aug-2013
Client	N/B	Scale Checked N/B
Drawing Title	Details	Dwg No. 1008/S/8-6 Drawn CMcE.
Project Description		Drawing & issue notes to be read in conjunction with issue sheet.
CATTLE SLAT UNIT SPEC		©This Drawing is Copyright



Croom Concrete Ltd

Precast Concrete Products
Off Church Road,
Croom,
Co Limerick,

Tel: 061 397479

Fax: 061 600719

e-mail: sales@croomconcrete.ie